

Data subject to change without prior notice
Edition 10/2022 © 2022 JMG Cranes S.p.A. All rights reserved
Rev. 2 - 10/22



Electric Pick & Carry Cranes

JMG Cranes S.p.A.

Sales & Service Office

Via Bergamo, 142

26100 Cremona - Italy

t +39 0372 1786738

Production Plant

Via Zuccherificio 2

29010 Sarmato (PC) - Italy

t +39 0523 8486

e info@jmgcranes.com



MC 25S (metric)
Max Capacity 2,500 kg

www.jmgcranes.com

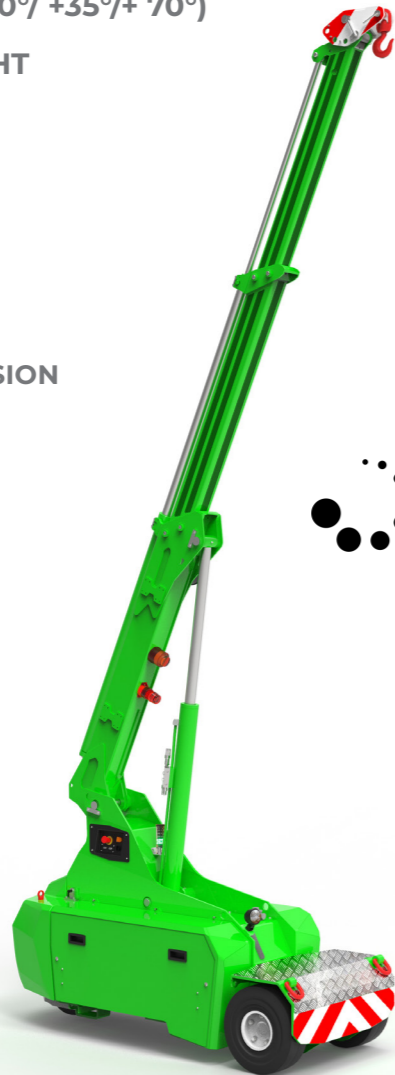


MC 25S

- RADIO REMOTE CONTROLLED
- SEQUENTIAL BOOM
- FRONT-WHEELS DRIVE WITH COUNTER ROTATION
- TILTING HEAD 3 POSITIONS (0°/ +35°/+ 70°)
- REMOVABLE COUNTERWEIGHT
- USB PLUG

Optionals:

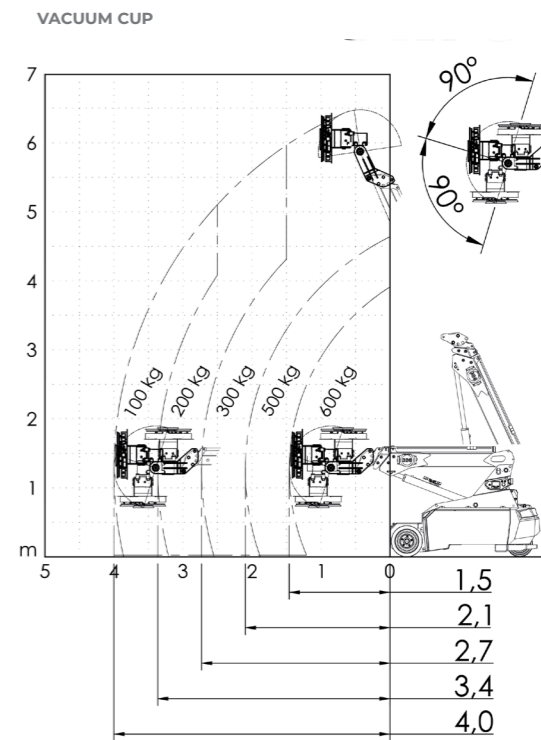
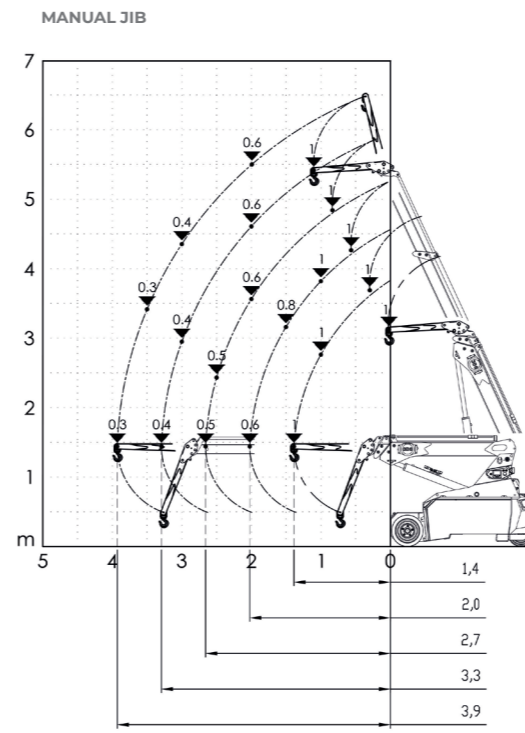
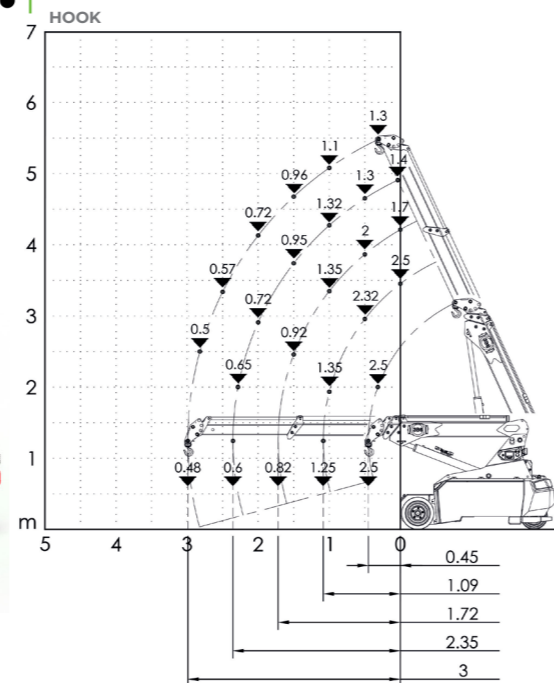
- HYDRAULIC WINCH
- BENDABLE MANUAL EXTENSION
- NON-MARKING TIRES
- ATEX CONVERSIONS
- CUSTOMIZED PAINTING
- TOOL BOX
- VACUUM CUP



Technical features

Max Capacity kg	2.500	Front-wheels drive. 2 electric motors AC 2 kW 24V Insulation class H	LMI. Electronic safe load indicator and tilting moment limiter
	Dimensions mm	24 V - 420 Ah 8 working hours	Automatic braking system on all wheels
Front nr. 2 superelastic 18x7-8" Rear nr. 2 superelastic 15x4 1/2-8"		Fabricated from preformed and welded quality steel plate	+65°/-15°
Rear Steering angle -90°/+90°	Motor driven pump 3 kW - 24 V AC, Insulation class H		

Load charts



EU Standards CE

	UNI ISO 4301-2: A1
	2006/42 CE-2014/30 UE- 2000/14-4301 -1:A1 e and subsequent modifications
	EN 13000:2014 ANSI/ASME B30.5-2011 e and subsequent modifications



Dimensions

