

Data subject to change without prior notice
Edition 10/2022 © 2022 JMG Cranes S.p.A. All rights reserved
Rev. 2 - 10/22

JMG Cranes S.p.A.

Sales & Service Office

Via Bergamo, 142

26100 Cremona - Italy

t +39 0372 1786738

Production Plant

Via Zuccherificio 2

29010 Sarmato (PC) - Italy

t +39 0523 8486

e info@jmgcranes.com



Electric Pick & Carry Cranes



MC 180S (metric)
Max Capacity
18,000 Kg

www.jmgcranes.com

JMG[®]
movetosolution

RADIO REMOTE CONTROLLED

FRONT-WHEELS DRIVE WITH COUNTER ROTATION

REMOVABLE COUNTERWEIGHTS

TELESCOPIC BOOM

FRONT COMPASS OUTRIGGERS

Options :

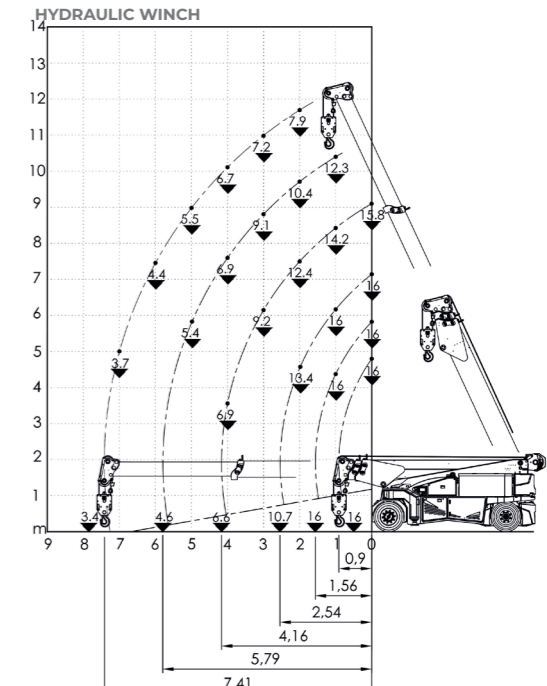
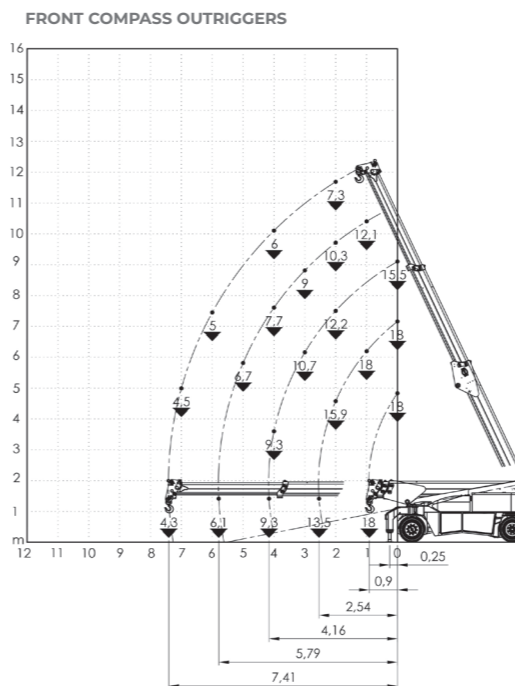
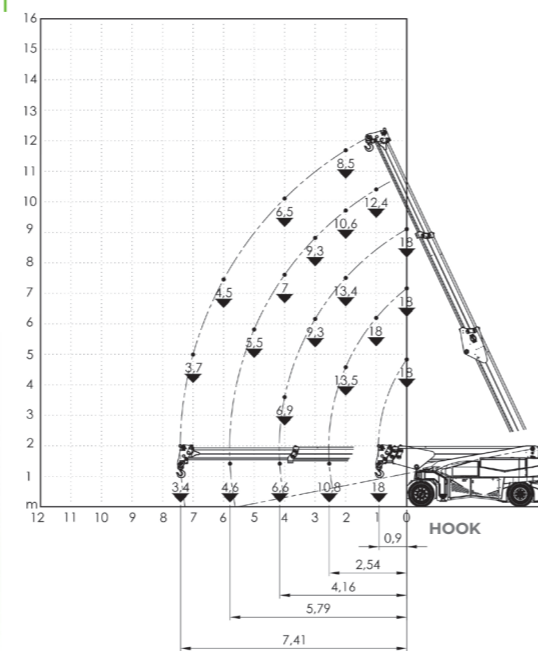
- HYDRAULIC WINCH
- HYDRAULIC JIB
- HYDRAULIC EXTENSION
- MANUAL JIB
- MANUAL EXTENSION
- NON-MARKING TIRES
- HYDRAULIC FORKS
- MAN BASKET
- ATEX CONVERSIONS
- CUSTOMIZED PAINTING



i **Technical features**

Max Capacity kg	18,000	LMI	Electronic safe load indicator and tilting moment limiter
	Dimensions mm		4535x1990x2000
		96 V - 1035 Ah 8 working hours	Fabricated from preformed and welded quality steel plate
	Front nr. 4 superelastic 355x50-20" Rear nr. 2 superelastic 355x50-20"	+65°/-6°	Motor driven pump N°2 23 kW - 96 V AC, 16 kW - 96 V AC Insulation class H
	Rear Steering angle -90°/+90°		

Load charts



EU Standards CE

	UNI ISO 4301-1: A1
	2006/42 CE-2014/30 UE-2014/35 UE- 2000/14 e and subsequent modifications
	EN 13000:2014 ANSI/ASME B30.5-2011 and subsequent modifications

Dimensions

