

Data subject to change without prior notice
Edition 10/2022 © 2022 JMG Cranes S.p.A. All rights reserved
Rev. 2 - 10/22



Electric Pick & Carry Cranes

JMG Cranes S.p.A.

Sales & Service Office

Via Bergamo, 142

26100 Cremona - Italy

t +39 0372 1786738

Production Plant

Via Zuccherificio 2

29010 Sarmato (PC) - Italy

t +39 0523 8486

e info@jmgcranes.com



MC 350S (metric)

**Max Capacity
35,000 kg**

www.jmgcranes.com

JMG[®]
movetosolution

RADIO REMOTE CONTROLLED
FRONT-WHEELS DRIVE WITH COUNTER ROTATION
PROPORTIONAL TELESCOPIC BOOM
REMOVABLE COUNTERWEIGHTS

Options :

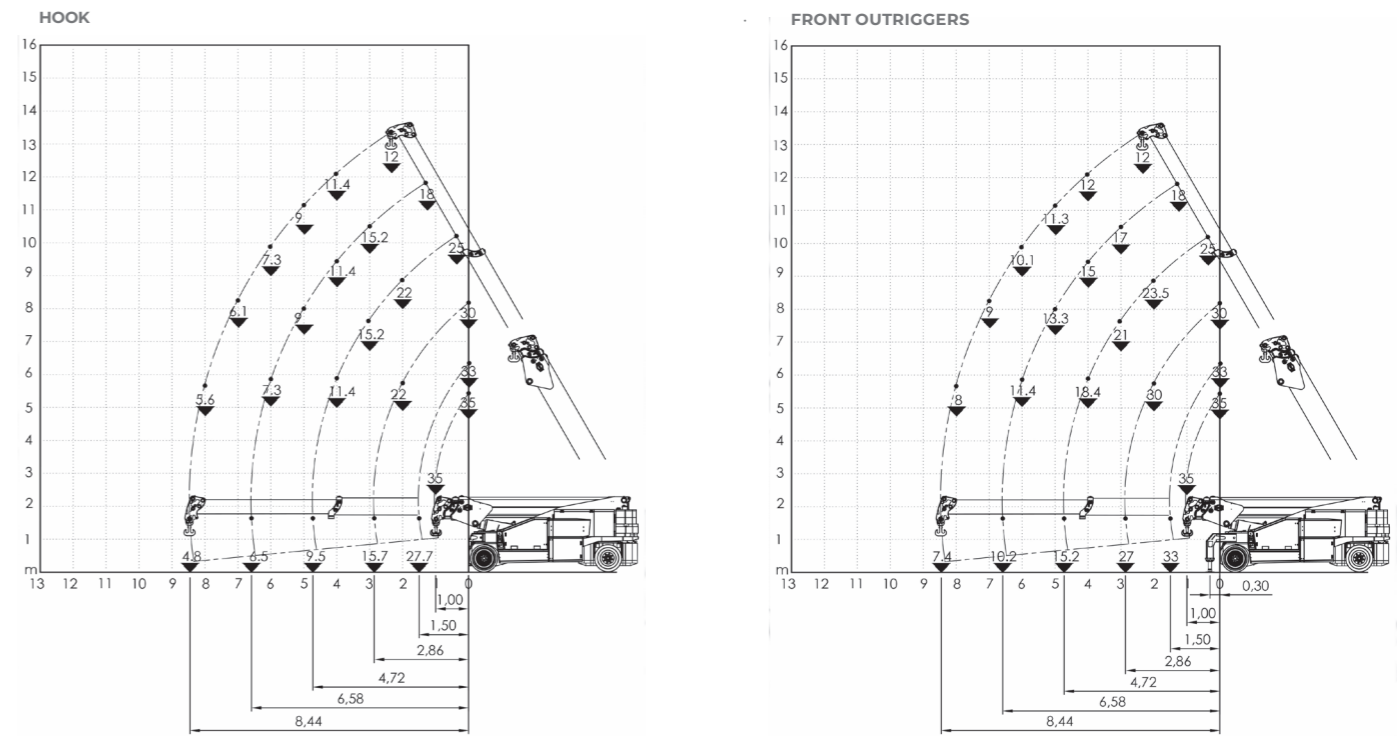
- HYDRAULIC WINCH
- HYDRAULIC JIB
- MANUAL JIB
- MANUAL EXTENSION
- NON-MARKING TIRES
- FRONT OUTRIGGERS
- HYDRAULIC FORKS
- MAN BASKET
- ATEX CONVERSIONS
- CUSTOMIZED PAINTING



Technical features

Max Capacity kg	35,000	Front-wheels drive. 2 electric motors AC 12 kW 96V Insulation class H	LMI Electronic safe load indicator and tilting moment limiter
	Dimensions mm	Total Kg. 31,300 Removable counterweights Kg. 8,700	Hydraulically foot controlled service brake on all wheels, hydraulically automatic or button controlled parking brake on front wheels
96 V - 1395 Ah 8 working hours		Fabricated from preformed and welded quality steel plate	
Front nr. 4 superelastic 355/50-20" Rear nr. 4 superelastic 355/50-20"		+65°/-6°	
	Rear Steering angle -90°/+90°	Motor driven pump 1x35 kW - 96 V AC, 1x23 kW - 96 AC.	

Load charts



EU Standards CE

	UNI ISO 4301-1: A1
	2006/42 CE-2014/30 UE-2014/35 UE- 2000/14 e and subsequent modifications
	EN 13000:2014 ANSI/ASME B30.5-2011 and subsequent modifications

Dimensions

