

Data subject to change without prior notice
Edition 10/2022 © 2022 JMG Cranes S.p.A. All rights reserved
Rev. 2 - 10/22

JMG Cranes S.p.A.

Sales & Service Office

Via Bergamo, 142

26100 Cremona - Italy

t +39 0372 1786738

Production Plant

Via Zuccherificio 2

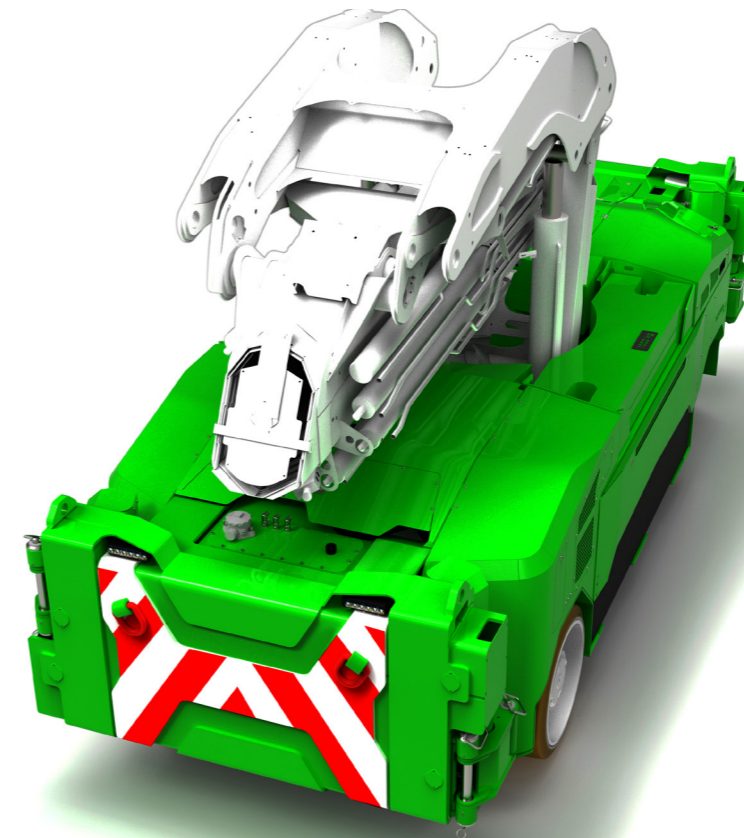
29010 Sarmato (PC) - Italy

t +39 0523 8486

e info@jmgcranes.com



Electric Pick & Carry Cranes



MC 50000RE
Max Capacity
50.000 kg/m

www.jmgcranes.com

JMG[®]
movetosolution

MC 5000RE

CRANE WITH 360° CONTINUOUS AND UNLIMITED HYDRAULIC BOOM ROTATION

9 SEQUENTIAL EXTENSIONS ARTICULATED BOOM

4 INDEPENDENT EXTENDABLE OUTRIGGERS, FOLDABLE FOR TRANSPORTATION

FULLY RADIO-CONTROLLED

CARRY DECK MAX CAPACITY 7 T

CAPACITY MAX. ON TIRES KG 7000

Optionals:

- 4 EXTENSIONS HYDRAULIC JIB
- HYDRAULIC WINCH
- NON-MARKING TIRES
- ATEX CONVERSIONS
- CUSTOMIZED PAINTING



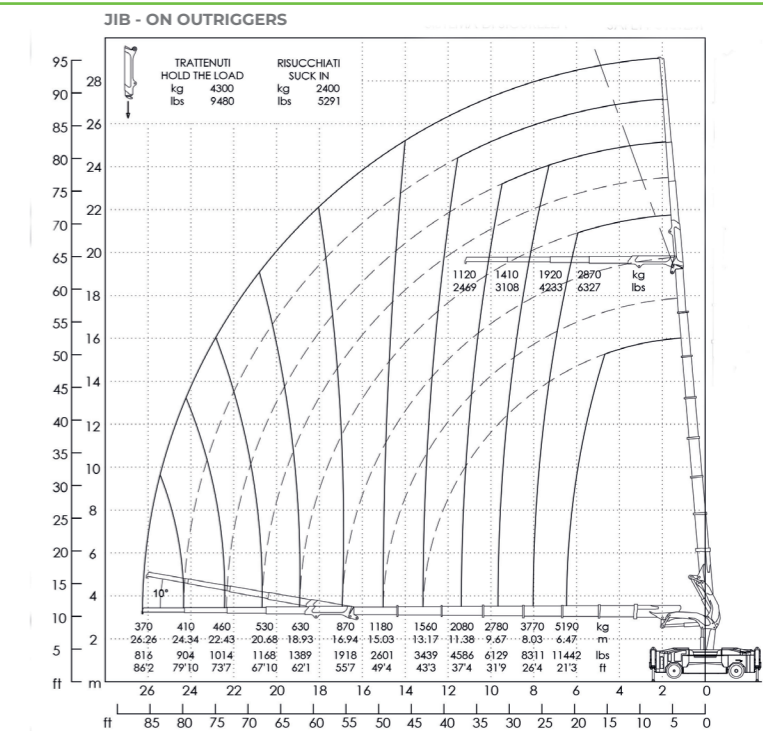
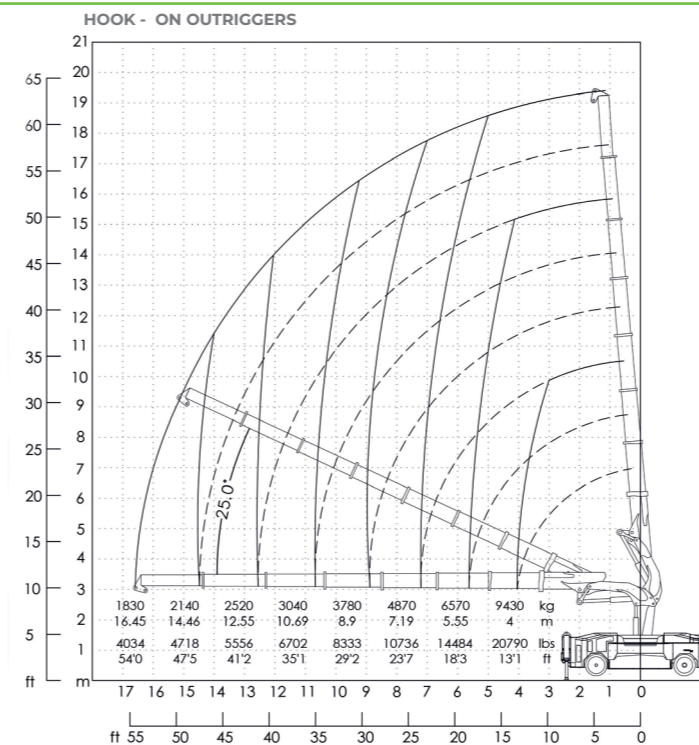
Static moment max kgxm	50.000
Dimensions mm	5130x2050x2810



Technical features

Front-wheels drive. 2 electric motors 10 kW 96 V Insulation class H	Electric Load Moment Indicator System
Total Kg. 21.640 Removable counterweights Kg. 2.000	Automatic braking system on front and rear wheels
96 V -1240 Ah 8 working hours autonomy	Fabricated from preformed and welded steel plate
Front n. 2 cushion 28x16x22 Rear n. 2 cushion 28x10x22	Boom inclination angle +85° Rotation time 360°/70 s
Rear by steering axle. Steering angle -90°/+90°	Motor driven pump hydraulic system 35 kW - 96 V AC 16 kW - 96 V AC

Load charts



EU Standards CE

	UNI ISO 4301-1: A1
	2006/42 CE-2014/30 UE- 2014/35 UE- 2000/14 e and subsequent modifications
	EN 13000:2014 ANSI/ASME B30.5-2011 and subsequent modifications



Dimensions

