

Data subject to change without prior notice
Edition 10/2022 © 2022 JMG Cranes S.p.A. All rights reserved
Rev. 2 - 10/22



Electric Pick & Carry Cranes

JMG Cranes S.p.A.

Sales & Service Office

Via Bergamo, 142

26100 Cremona - Italy

t +39 0372 1786738

Production Plant

Via Zuccherificio 2

29010 Sarmato (PC) - Italy

t +39 0523 8486

e info@jmgcranes.com



**MC400 TC
(metric)**
Max Capacity 400 kg

www.jmgcranes.com



MC400 TC

FULL FREE LIFT MAST

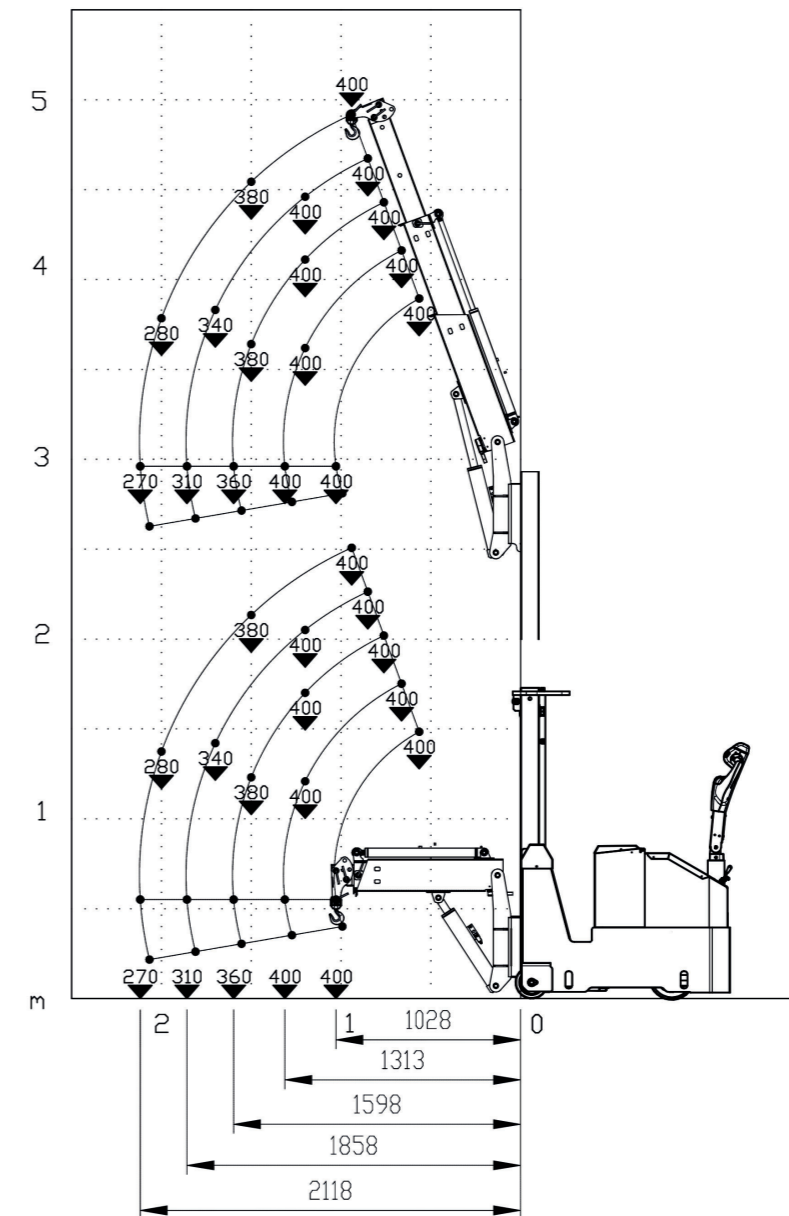
SERVO-ASSISTED STEERING DRAWBAR

COUNTER-BALANCED SYSTEM WITHOUT BASELEGS

LONG LASTING BATTERY: 24V ARMORED BATTERIES WITH A CAPACITY OF 270AH



Load charts



EU Standards CE

	UNI ISO 4301-2: A1
	2006/42 CE-2014/30 UE- 2000/14-4301 -1:A1 e and subsequent modifications
	EN 13000:2014 ANSI/ASME B30.5-2011 e and subsequent modifications



Technical features

Closed boom orizzontale horizontal	400 kg
Dimensions	2221x885x1728 mm
Total weight	1950 kg
L.M.I.	Electronic safe load indicator and tilting moment limiter



Dimensions

