

RTH



6.26



- **Totally renewed** machine control **software**
- Completely upgraded **dynamic load chart** display
- **Unrivalled** lifting **performance**
- **Hydraulic** and **electric** completely revised to facilitate After Sales service

MAIN SECTORS

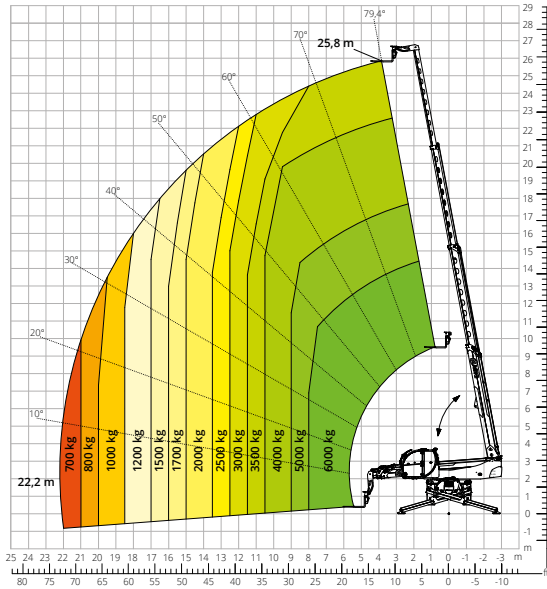


MANUFACTURING

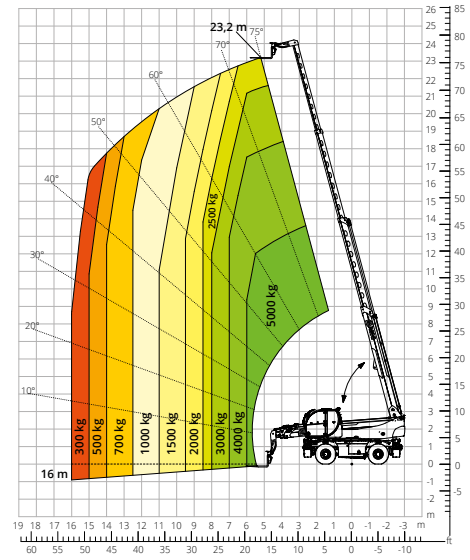


CONSTRUCTION

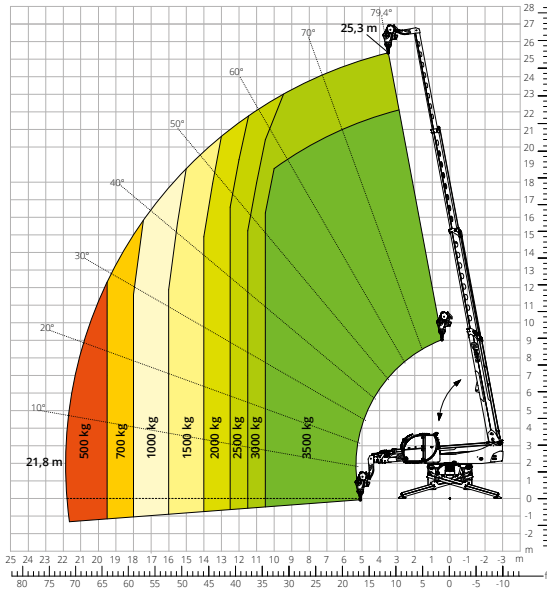
Load chart for
FULLY EXTENDED STABILISERS (360°)



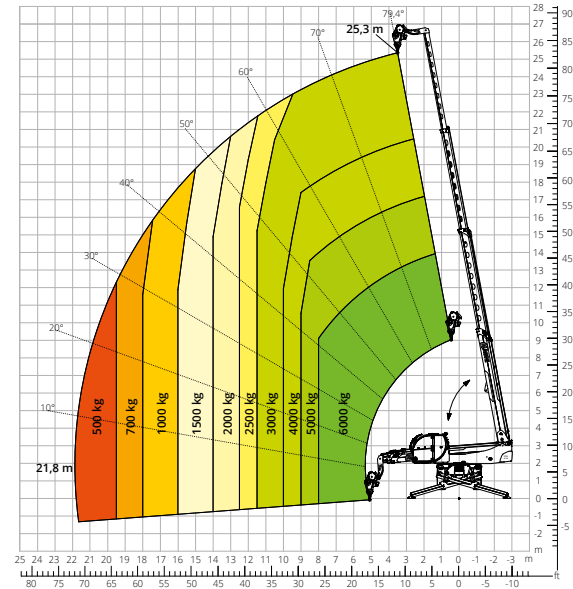
Load chart for
FRONT ATTACHMENT ON TYRES



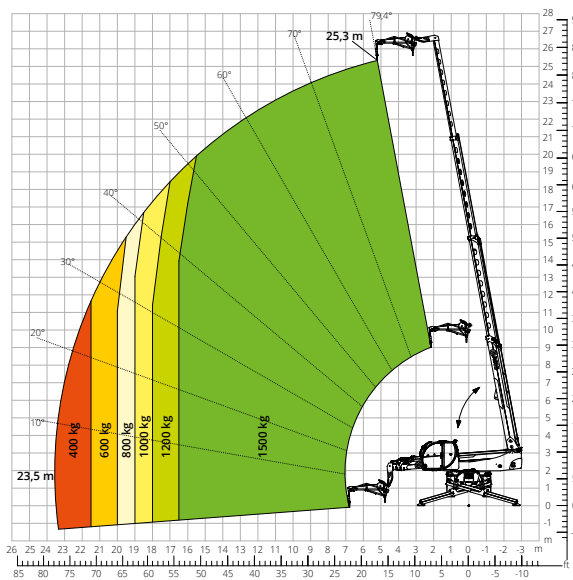
Load chart for
WINCH 3,500 kg



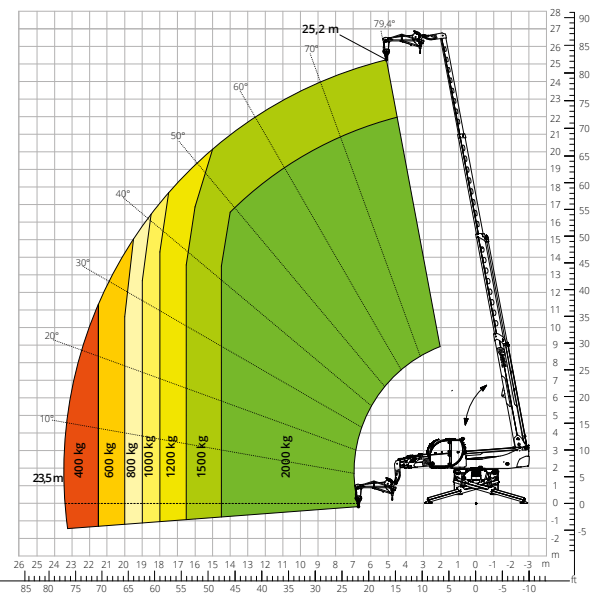
Load chart for
WINCH 6,000 kg



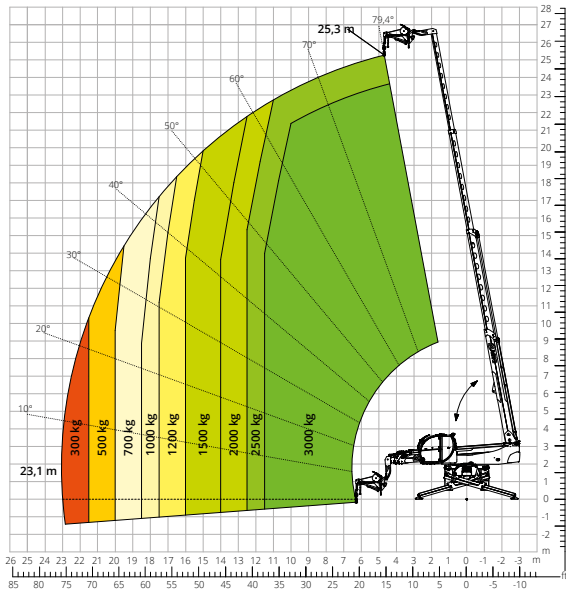
Load chart for
JIB WITH WINCH 1,500 kg



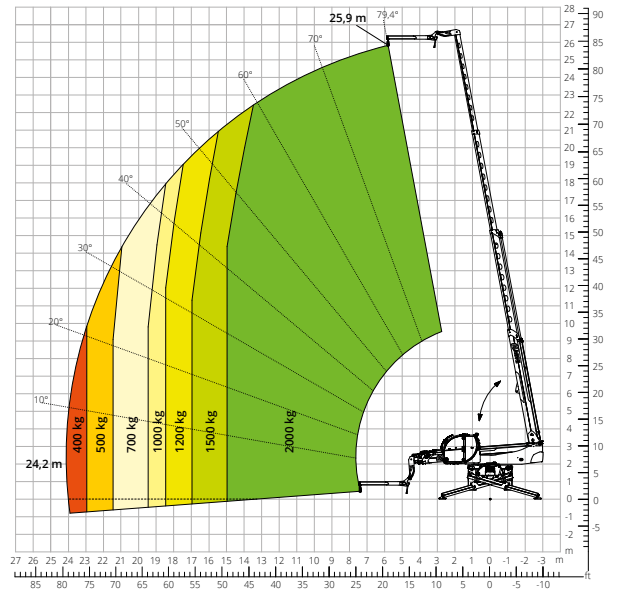
Load chart for
JIB WITH WINCH 2,000 kg



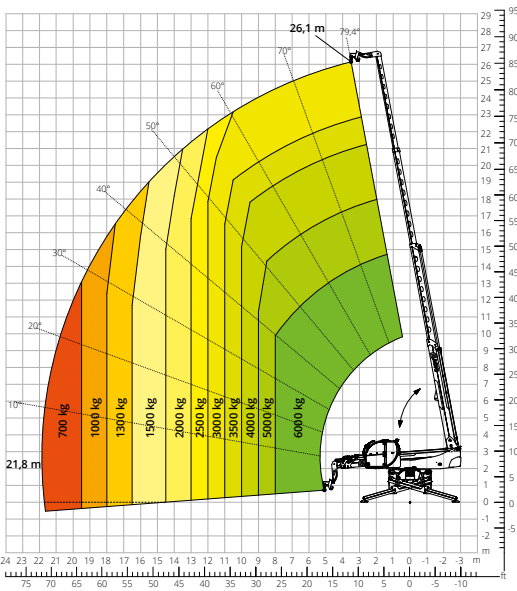
Load chart for
JIB WITH WINCH 3,000 kg



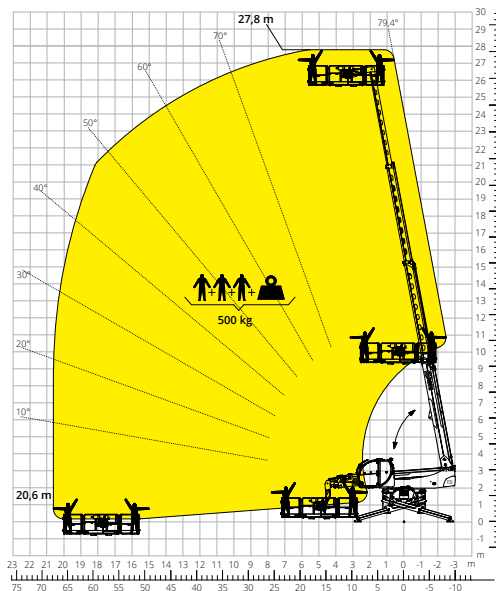
Load chart for
JIB 2,000 kg



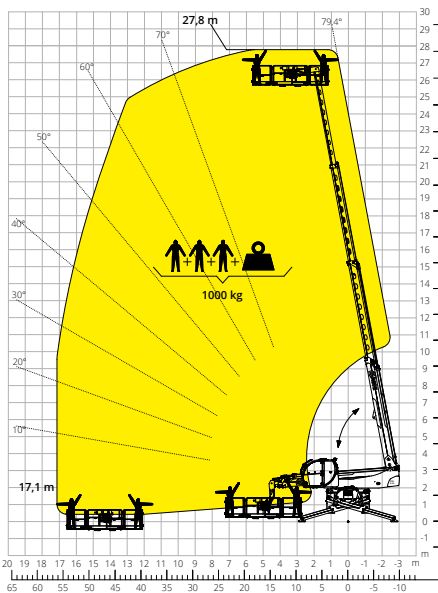
Load chart for
HOOK 6,000 kg



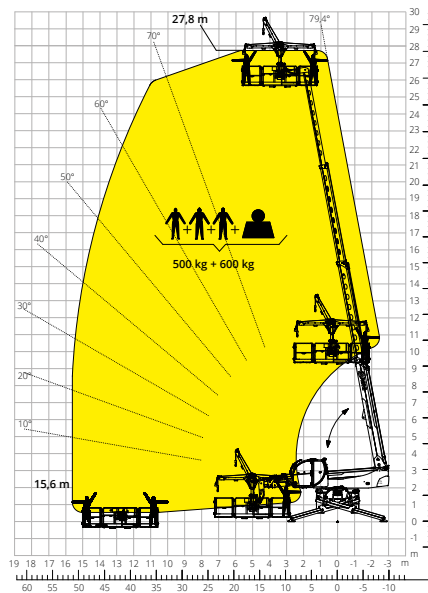
Load chart for
ROTATING EXTENDABLE PLATFORM 500 kg



Load chart for
ROTATING EXTENDABLE PLATFORM 1,000 kg

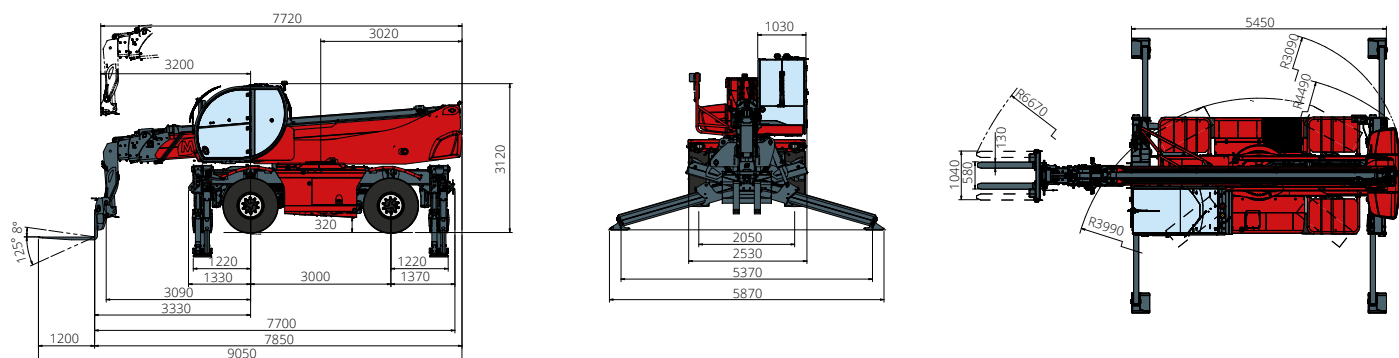


Load chart for
PLATFORM 500 kg WITH WINCH 600 kg



RTH 6.26

| | | | |
|--|--|---|--|
| Machine model | Rotating telescopic handler | RTH 6.26 | |
| | Maximum lifting capacity | 6,000 kg | |
| | Maximum reach | 22.2 m | |
| | Maximum lifting height | 25.8 m | |
| | Rotation | 360° (continuous) | |
| Stabilisers | Type | Scissor stabilisers with single telescopic extension (Magni patent) | |
| | Controls | Independent or combined | |
| Engine | Type | Deutz TCD 3.6 L4 Stage V | Deutz TCD 3.6 L4 EDG Stage IIIA |
| | Rated power | 100 kW (136 hp) at 2,200 rpm | |
| | Maximum torque | 500 Nm at 1,600 rpm | |
| | Displacement | 3,620 cm ³ | |
| | Cylinders | 4 in line | |
| | Engine type | Turbocharged direct injection diesel | |
| | Cooling system | Water – intercooler | |
| | Number of batteries | 2 x 12 V | |
| | Battery type | SHD | |
| | Battery capacity | 1,200 A-190 Ah | |
| | Transmission | Type | Hydraulic |
| Maximum pressure | | 480 bar | |
| Gearbox | | 2 speeds forward-reverse | |
| Axles and brakes | Type | Axles with planetary gearboxes | |
| | Front axle | Oscillating and steering with levelling, +/-8° | |
| | Rear axle | Oscillating and steering with hydraulic lock | |
| | No. of steering wheels | 4WS | |
| | Steering mode | Frontal/Concetric/Crab | |
| | Service brake | Hydraulically operated wet multi-disk brakes on each axle | |
| | Parking brake | Hydraulic with negative action | |
| | Tyre sizes | 445/65 R22.5 | |
| | Max. travel speed | 40 km/h | |
| Performance | Drawbar pull | 68 kN | |
| | Gradeability | 34% | |
| | Turning radius (at forks) | 6,670 mm | |
| | Total unladen* | 19,600 kg | |
| Weights | Front axle unladen (boom retracted and lowered)* | 8,550 kg | |
| | Rear axle unladen (boom retracted and lowered)* | 11,050 kg | |
| | | | |
| Tank and system capacities | Diesel fuel tank | 240 l | 240 l |
| | AdBlue | 10 l | / |
| | Hydraulic fluid | 130 l | 130 l |
| | Engine oil | 9 l | 9 l |
| | Coolant | 20 l | 20 l |
| Hydraulic circuit for movements | Circuit type | Load sensing | |
| | Service pump | Variable displacement piston pump | |
| | Max. hydraulic flow rate | 130 l/min | |
| | Max. working pressure | 350 bar | |
| | Distributor for boom and turret movements | SIL 2 electro-proportional valve | |
| | Movements control | 2 two-axis Danfoss joysticks with deadman safety device | |
| Standards met | 2006/42/EC: EU Machinery Directive | | |
| | 2016/1628: EU Regulation on the emissions of stage V engines | | |
| | EN 1459-X: Relating to standards on the safety requirements for variable reach machines | | |
| | EN 280/EN 280-1/EN 280-2: standards relating to mobile elevating work platforms (if available) | | |
| | ROPS/level 2 FOPS: relating to the standards for protective structures | | |



The data given in this brochure are provided for information purposes and are subject to change without prior notice. All images are purely guideline and might not give an exact representation of the product. *the stated weight refers to the vehicle unladen with standard equipment and may vary depending on the chosen configuration