

RTH

8.46

- **Totally renewed** machine control **software**
- Completely upgraded **dynamic load chart** display
- **Unrivalled** lifting **performance**
- **Hydraulic** and **electric** completely revised to facilitate After Sales service

MAIN SECTORS



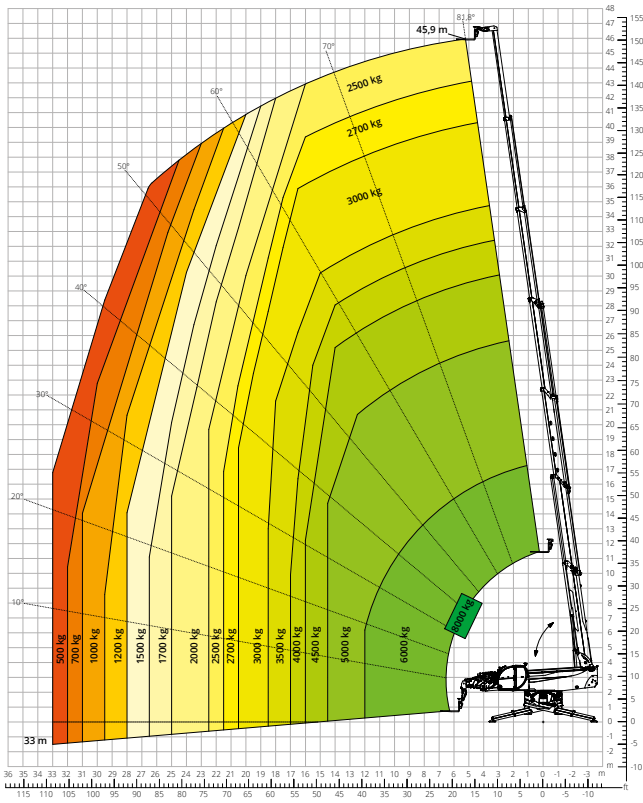
MANUFACTURING



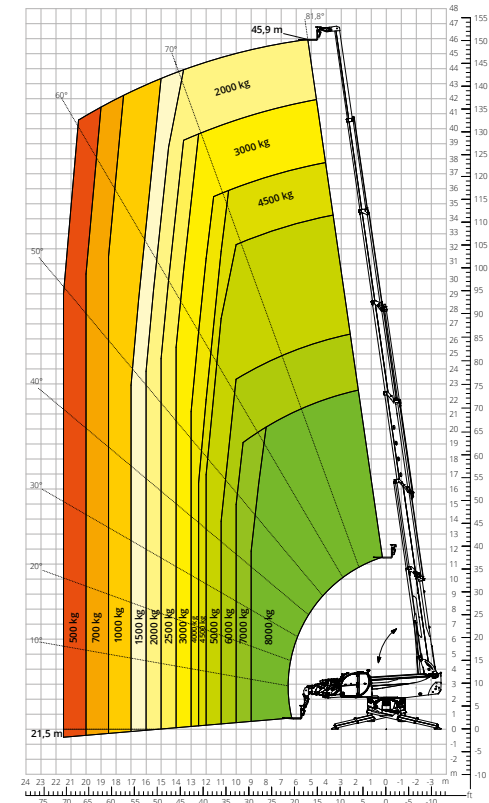
CONSTRUCTION



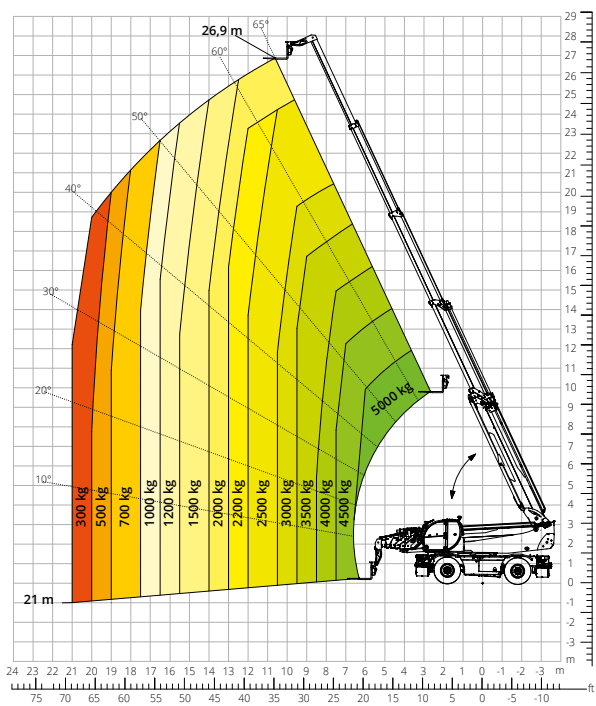
Load chart for
FULLY EXTENDED STABILISERS (360°) - M1



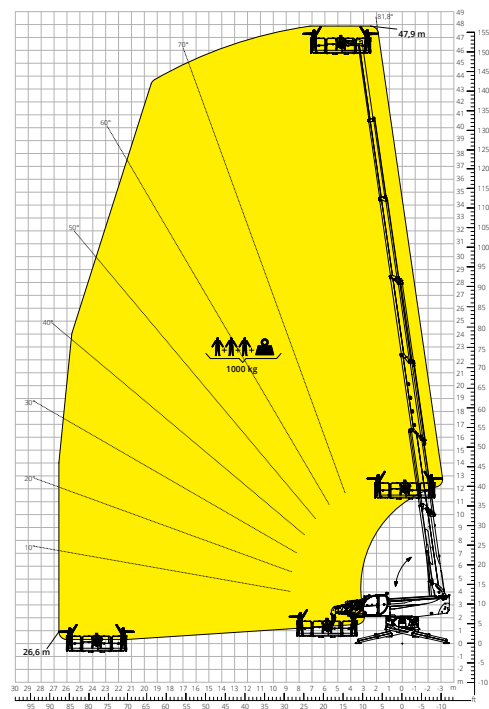
Load chart for
FULLY EXTENDED STABILISERS (360°) - M2



Load chart for
FRONT ATTACHMENT ON TYRES



Load chart for
ROTATING EXTENDABLE PLATFORM 1,000 kg



RTH 8.46

	Rotating telescopic handler	RTH 8.46	
Machine model	Maximum lifting capacity	8,000 kg (centre of gravity 600 mm)	
	Maximum reach	33.00 m	
	Maximum lifting height	45.90 m	
	Rotation	360° (continuous)	
		Type	Volvo TAD 583 VE Stage V
Engine	Rated power	175 kW (238 hp) at 2,300 rpm	160 kW (218 hp) at 2,200 rpm
	Maximum torque	975 Nm at 1,380 rpm	910 Nm at 1,450 rpm
	Displacement	5,130 cm ³	
	Cylinders	4 in line	
	Engine type	Turbocharged direct injection diesel	
	Cooling system	Water - intercooler	
		Type	Hydrostatic
Transmission	Model	Danfoss	
	Maximum pressure	480 bar	
	Displacements	Electronically controlled variable displacement pump Variable displacement motor	
	Gearbox	Dropbox, 2 speeds forward-reverse	
		Type	Axles with planetary gearboxes
Axles and brakes	Front axle	Oscillating and steering with levelling, +/-8°	
	Rear axle	Oscillating and steering with hydraulic lock	
	Service brake	Hydraulically operated wet multi-disk brakes on each axle	
	Parking brake	Hydraulic with negative action	
	Tyre sizes	17.5 R25	
Performance	Max. travel speed	25 km/h	
	Drawbar pull	151 kN	
	Gradeability	43.6%	
	Turning radius (at forks)	7,850 mm	
		Total unladen	35,300 kg
Weights	Front axle unladen (boom retracted and lowered)	15,450 kg	
	Rear axle unladen (boom retracted and lowered)	19,850 kg	
		Diesel fuel tank	280 l
Tank and system capacities	AdBlue	40 l	/
	Hydraulic fluid	300 l	300 l
	Engine oil	16 l	16 l
	Coolant	40 l	40 l
		Circuit type	Load sensing
Hydraulic circuit for movements	Service pump	Danfoss / Rexroth - Variable displacement	
	Max. hydraulic flow rate	210 l/min	
	Max. working pressure	350 bar	
	Distributor for boom and turret movements	Danfoss - SIL 2 electro-proportional valve	
	Movements control	2 two-axis Danfoss joysticks with deadman safety device Managed via CAN bus technology	
	Standards met	2006/42/EC: EU Machinery Directive	
2016/1628: EU Regulation on the emissions of stage V engines			
EN 1459-X: Relating to standards on the safety requirements for variable reach machines			
EN 280/EN 280-1/EN 280-2: standards relating to mobile elevating work platforms (if available)			
ROPS/level 2 FOPS: relating to the standards for protective structures			

